



Product range >> Current transformers for industry >> Plug-in current transformer (ASK/CTB)

**art. nr.: 17067**

**ASK 51.6 250/5A 5VA Cl.1**



### Electrical Attributes:

Primary current:	250 A
Secondary current:	5 A
Burden:	5 VA
Class:	1

### Dimensions:

Bus bar 1:	50 x 12 mm
Bus bar 2:	40 x 30 mm
Round conductor:	40 mm
Width:	95 mm
Height:	116 mm
Depth:	74 mm

### Technical details:

Therm. nominal continuous current $I_{cth}$ :	$1,0 \times I_N$
Therm. nominal short-time current $I_{th}$ :	$60 \times I_N, 1 \text{ sec.}$
Max. operating voltage $U_m$ :	0.72 kV
Isolation test voltage:	3 kV, $U_{eff}$ , 50 Hz, 1 min.
Nominal rated frequency:	50 Hz
Isolation class:	E

### Further information:

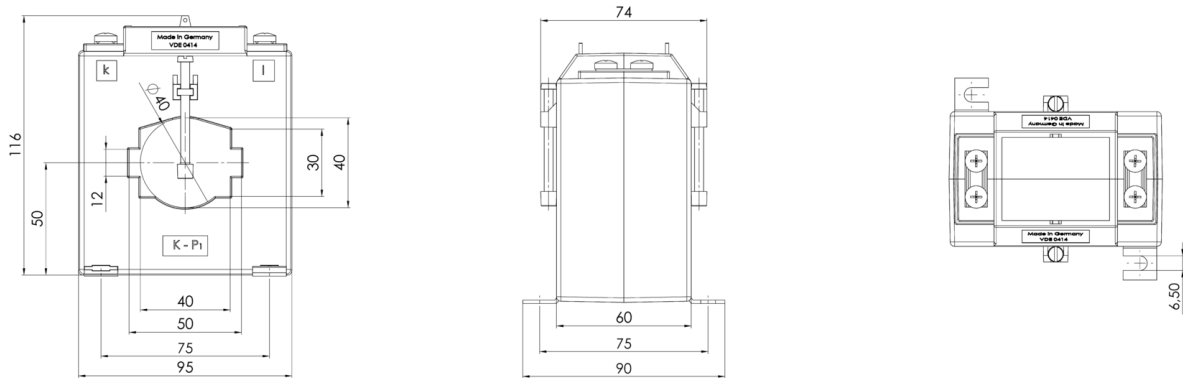
Over-current limiting factor:	See rating plate
Working temperature range:	$-5^\circ\text{C} < T < +40^\circ\text{C}$
Storage temperature range:	$-25^\circ\text{C} < T < +40^\circ\text{C}$
Unbreakable plastic housing made of black polycarbonate:	Flame resistant, ultrasonically welded
Nickel-plated secondary terminals with plus-minus nickel-plated screws:	M5x10mm
Package quantity:	1 pcs.
Custom tariff number:	85043129



# MBS AG 'Sulzbach Messwandler'



## Dimensions:



## Contact:

MBS AG  
Sulzbach Messwandler  
Eisbachstraße 51  
D-74429 Sulzbach-Laufen

Tel.: +49 7976 9851-0  
Fax: +49 7976 9851-90  
orders@mbs-ag.com

