



Features

- ★ Compact DIN size.
- ★ 4 to 20mA input loop powered. (No external power source required.)
- ★ Scaling function.
- ★ LCD display 7.4mm (unit : % or °C selectable)
- ★ 48mm(W) x 24mm(H) x 24mm(D) 1/32 DIN size

Ordering code

AL - 203

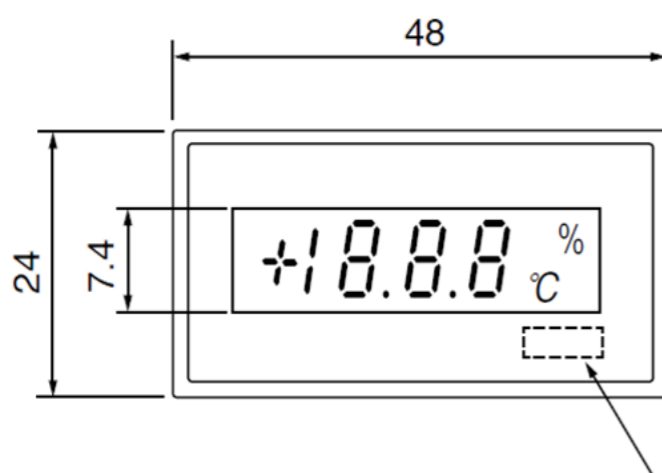
Model code	Measurement range	Resolution	Max. allowable input	Accuracy
AL-203	4 to 20mA	0.1mA	±50mA	±(0.2% of FS +2 digit)

Specifications

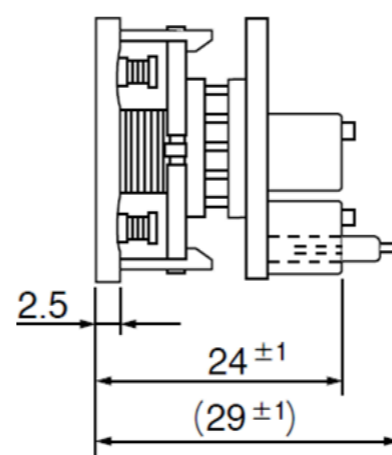
Input	4 to 20mA
Display	3 1/2 digits LCD 7.4mm
Polarity	'-' is displayed automatically at negative polarity
Display range	-1999 to 1999
Measurement / input / scaling range	Offset: ±200, full scale: 100 to 1999
Decimal point	Able to set to any digit
Zero display	Leading zero suppression
Sampling rate	2.5 times / second (approx. 400ms)
Operating temperature	0 to 50°C
Operating relative humidity	35 to 85% (non-condensing)
Power supply	Operate by input current 4 to 20mA
Dimensions	48mm(W) x 24mm(H) x 24mm(D) 1/32 DIN size
Weight	Approx. 20g

Dimensions

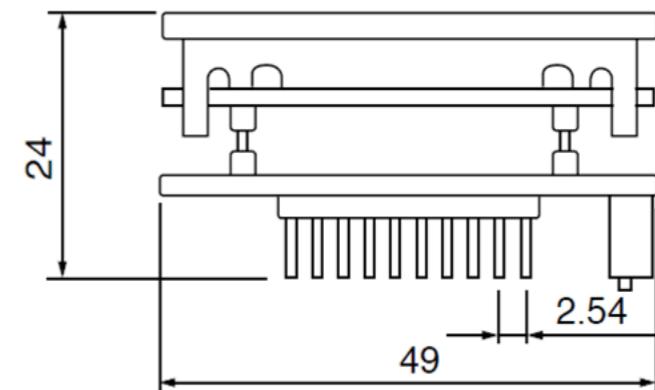
◆ Front view



◆ Side view

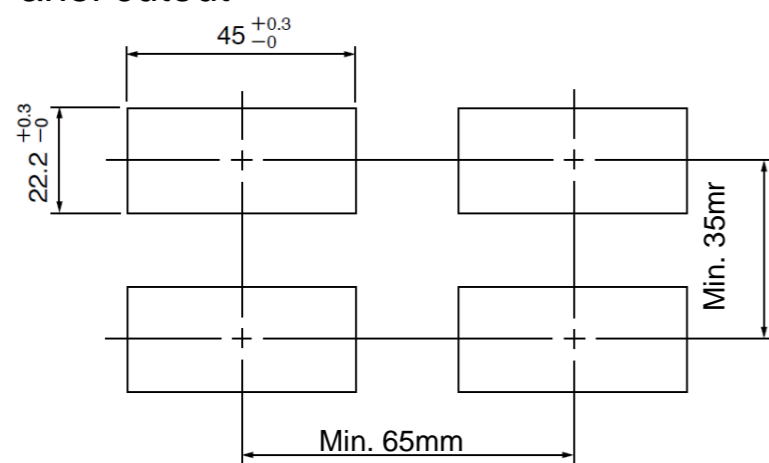


◆ Top view



Carving position (option)

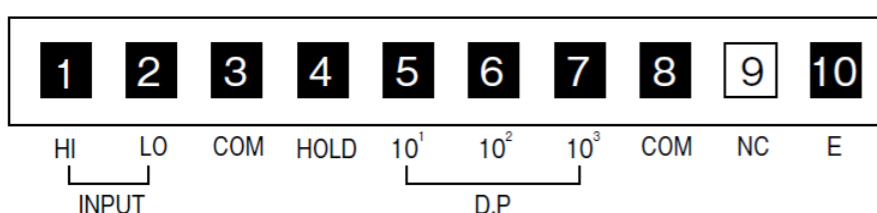
◆ Panel cutout



*Panel thickness 0.8 to 3.2mm

(Unit : mm)

Terminal Connections



* Specification is subject to change without notice