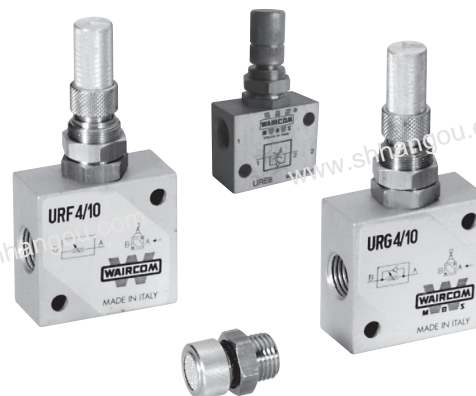


### DESCRIPTION

Flow regulators series "UR" are produced in three different versions, unidirectional (type "URG") - bi-directional (type "URF"), to have a precision in-line regulation; unidirectional (type "URE"), when it's necessary a standard in-line regulation with reduced dimensions, and in the silenced exhaust version (type "URS"). In-line precision flow regulators type "URG"- "URF" are available in different adjustment scale in the size G 1/8 (see the flow charts).



3

### IN-LINE PRECISION FLOW REGULATORS TYPE URG - URF

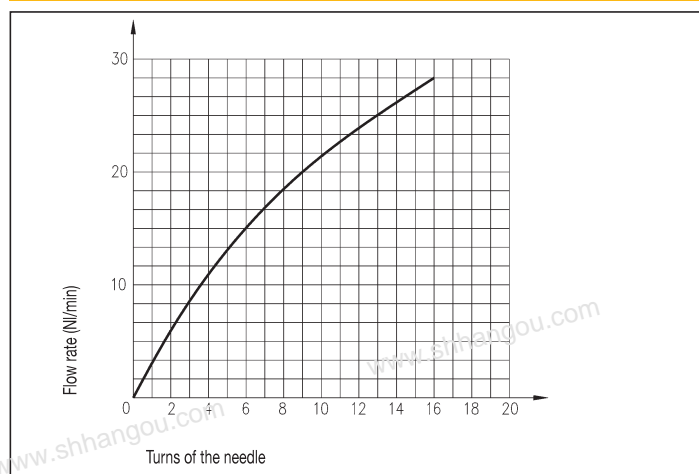
#### TECHNICAL DATA

Maximum pressure	12 bar
Working temperature	0 ÷ +80° C (-20 °C with dry air)
Fluid	Filtered, unlubricated or continuous lubricated compressed air
Port size	G 1/8 - G 1/4 - G 1/2

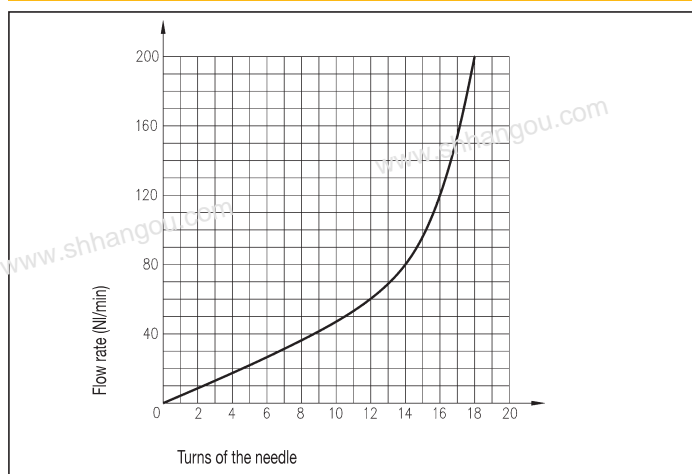
#### MATERIALS

Body	Anodized aluminium alloy
Seals	NBR rubber
Regulation needle	Aluminium (stainless steel for "URG" - "URF 8/1")
Needle guide	Brass
Nuts	Brass

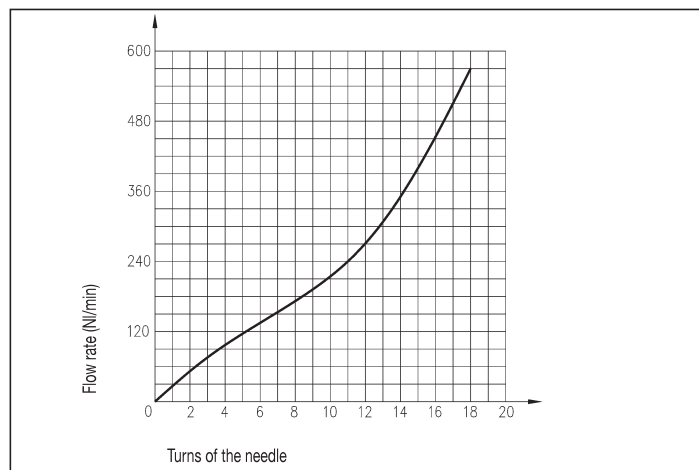
#### FLOW CHART AT 6 BAR - UR 8/1



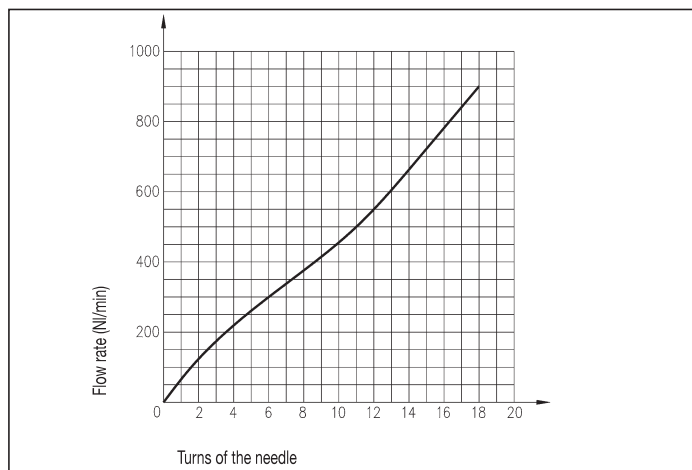
#### FLOW CHART AT 6 BAR - UR 8/2



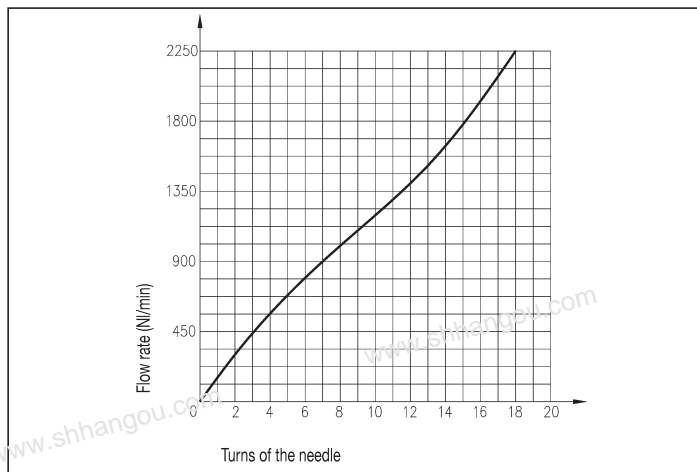
#### FLOW CHART AT 6 BAR - UR 8/5



#### FLOW CHART AT 6 BAR - UR 4/10

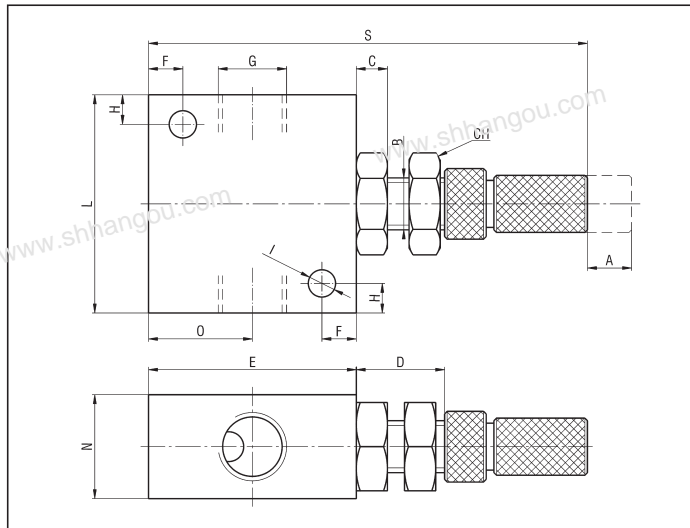


## FLOW CHART AT 6 BAR - UR 2/25



Symbol	Nominal diameter (mm)	Port size	TYPE
	0,9	G 1/8	URG8/1
	2	G 1/8	URG8/2
	5	G 1/8	URG8/5
	7,2	G 1/4	URG4/10
	12	G 1/2	URF2/25
	0,9	G 1/8	URF8/1
	2	G 1/8	URF8/2
	5	G 1/8	URF8/5
	7,2	G 1/4	URF4/10
	12	G 1/2	URF2/25

## DIMENSIONS AND WEIGHTS URG - URF



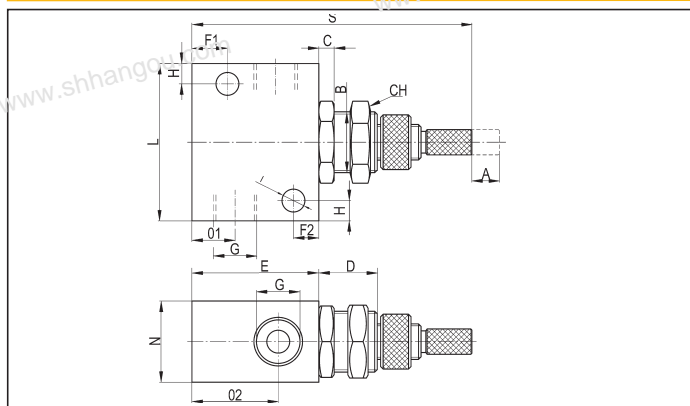
A	B	C	CH	D	E	F	H
6	M12x0,75	4	14	12,5	31	4,5	5,5
8,5	M15x0,75	5,5	17	17	40	6,5	6
13	M25x1,5	7	30	22	65	8,5	12,5
I	L	N	O	S	Weight (g)	G	
4,3	34	16	15,5	65	60	G 1/8	
5,25	42	20	20	84,5	120	G 1/4	
6,25	69	35	32,5	127	540	G 1/2	

## IN LINE STANDARD FLOW REGULATORS TYPE URE

Symbol	A	B	C	CH	D	E	F1	F2	H
	10	M12x0,75	3	14	11	25	7	5	4
	6,8	M12x0,75	3,5	15	11	35	*	5	5
	I	L	N	O1	O2	S	Weight (g)	G	TYPE
	4,5	31	16	8,5	17	55	55	G 1/8	URE8
	4,3	40	26	14,5	13,5	58,7	101	G 1/2	URE2

\* THE No. 2 FIXING HOLES FOR THESE SIZES ARE ALIGNED (SEE DIMENSION "F2")

## DIMENSIONS AND WEIGHTS URE



## SILENCED EXHAUST FLOW REGULATORS TYPE URS

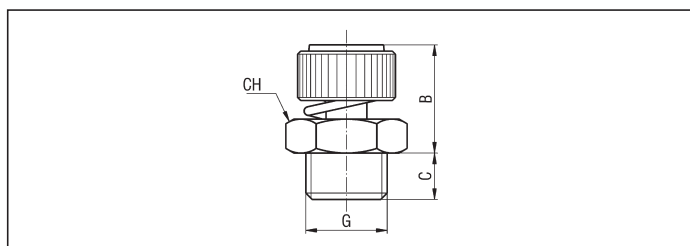
### TECHNICAL DATA

Maximum pressure	12 bar
Working temperature	0 ÷ +80 °C (-20 °C with dry air)
Fluid	Filtered, unlubricated or continuous lubricated compressed air
Port size	G 1/8 - G 1/4 - G 3/8 - G 1/2

### MATERIALS

Body	Brass
Silencer	Sintered bronze

## DIMENSIONS AND WEIGHTS - URS



Symbol	B	C	CH	Weight (g)	G	TYPE
	15,5	6	12	15	G 1/8	URS8/3
	17,5	8	16	25	G 1/4	URS4/5
	20	9	20	40	G 3/8	URS3/7
	22,5	10,5	26	70	G 1/2	URS2/9