

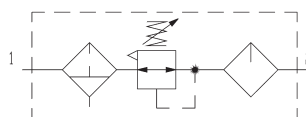
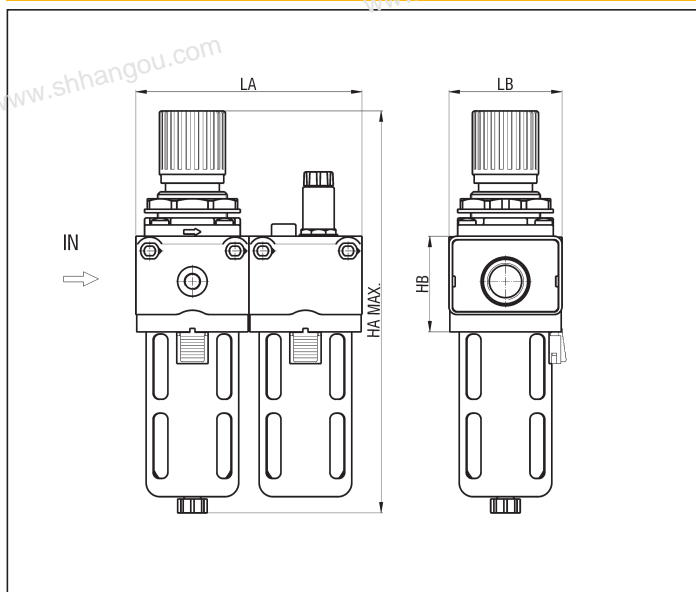
# Air treatment: filter reducer + lubricator G 3/8 - G 1/2 - G 1

# series EZ

## TECHNICAL DATA

Maximum pressure	16 bar
Working temperature	0 ÷ +50 °C (-10 °C with dry air)
Fluid	Compressed air
Port size	G 3/8 - G 1/2 - G 1
Pressure gauge port size	G 1/8
Flow rate at 6 bar ΔP = 1 bar	G 3/8 = 680 NI/min G 1/2 = 1200 NI/min G 1/2 = 2300 NI/min
Wall clamping screws	G 3/8: M4x60 G 1/2: M5x70 G 1: M6x90 1

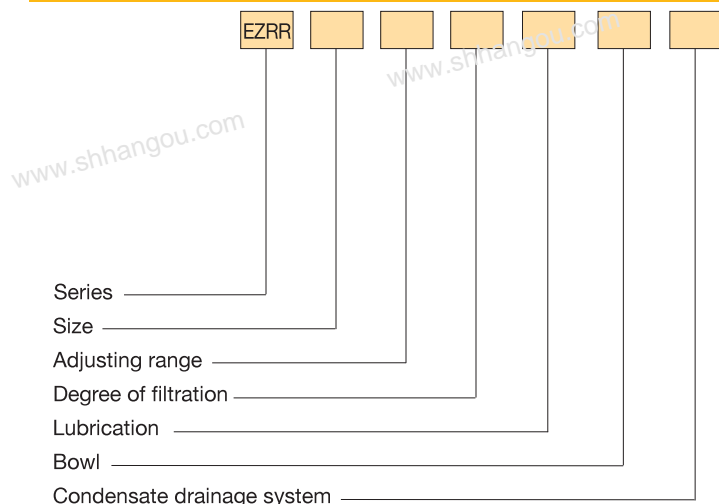
## DIMENSIONS AND WEIGHTS FR+L



4

SIZE	HA	HB	LA	LB	WEIGHT (g)
3	193	52	107	50	940
2	231	55	130	65	1065
1	337	76	167	82	4695

## ORDER KEY



SIZE	
3 G 3/8	2 G 1/2
1 G 1	
ADJUSTING RANGE	
/3 0,2 ÷ 2 bar	/5 0,4 ÷ 4 bar
/7 0,8 ÷ 8 bar	
DEGREE OF FILTRATION	
F5 5 μm*	F20 20 μm
F40 40 μm	
LUBRICATION	
L Oil mist (standard)	LCA Oil mist, N.O. electric contact
LCC Oil mist, N.C. electric contact	
BOWL	
Transparent	/PM Protection**
CONDENSATE DRAINAGE SYSTEM	
/SM Manual	/SS Semi-automatic
/SA Automatic***	

\* Available only for sizes 3 and 2  
 \*\* Metallic as standard for sizes 2 and 1, made of glass stiffened polyamide on request for size 3  
 \*\*\* Available only for sizes 2 and 1  
 P.S.: Filters reducers + lubricators can be supplied without the relieving seal on request; the series becomes "EZR..."